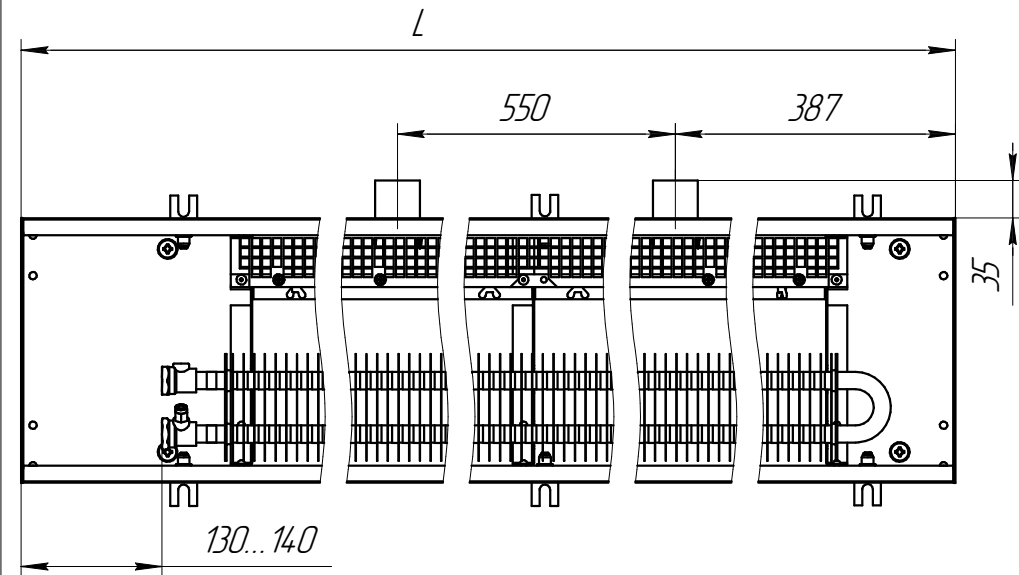
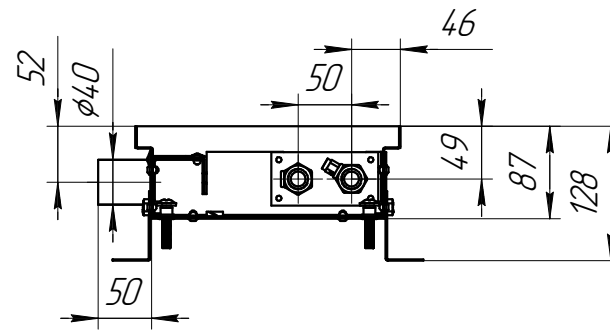


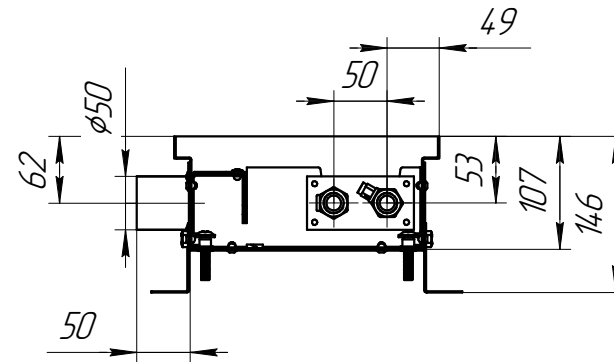
*KVVZ 250-85 (105)*

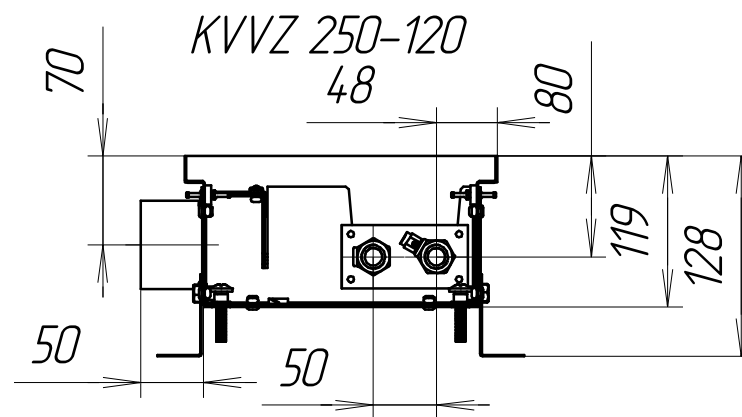
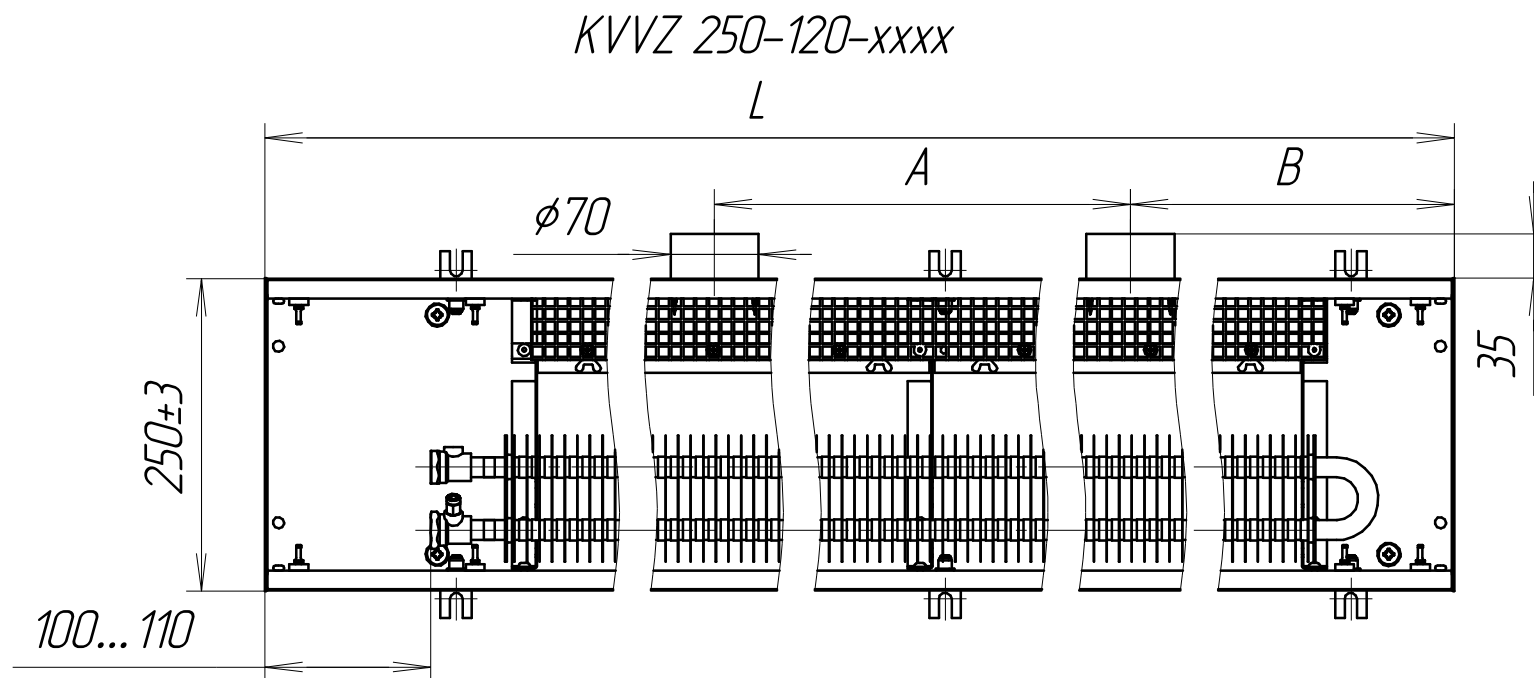


*KVVZ 250-85*

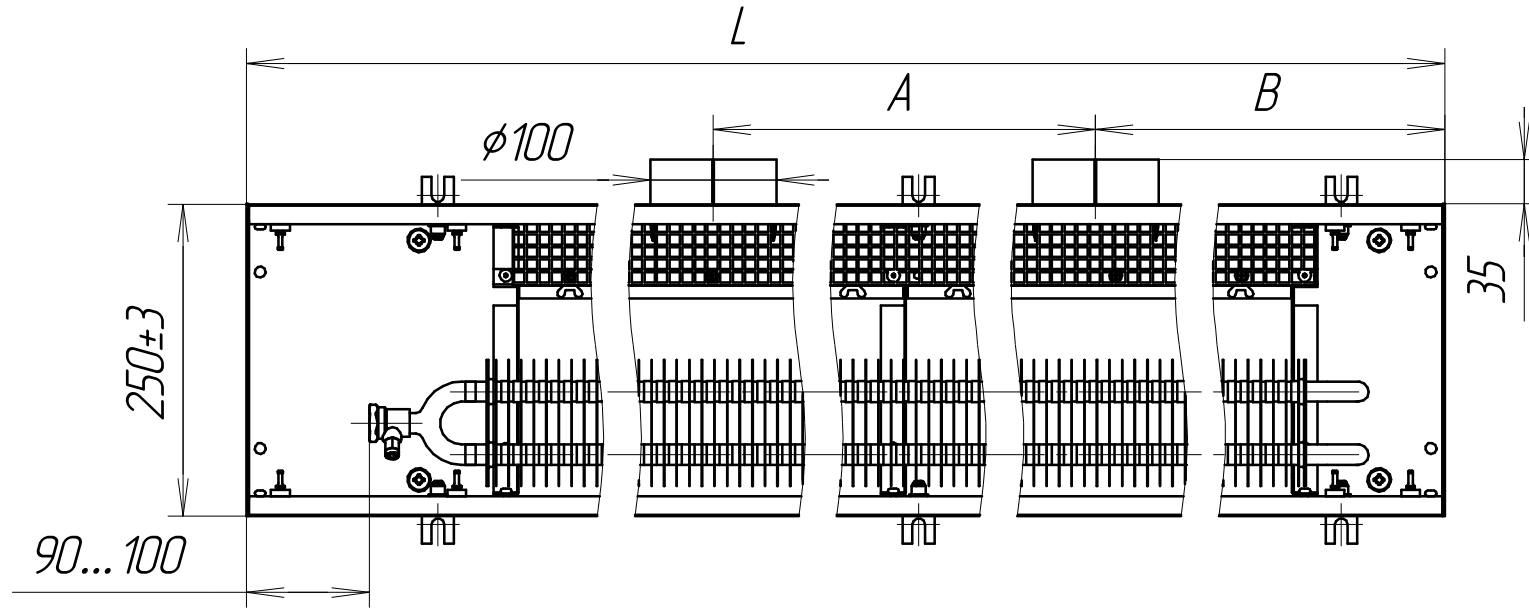


*KVVZ 250-105*

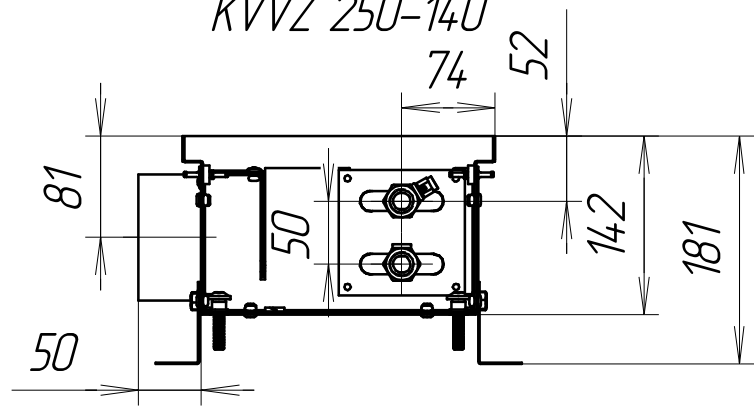




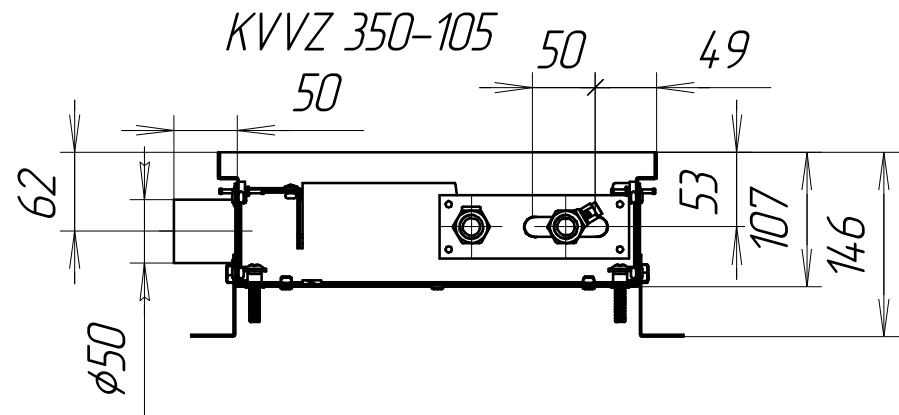
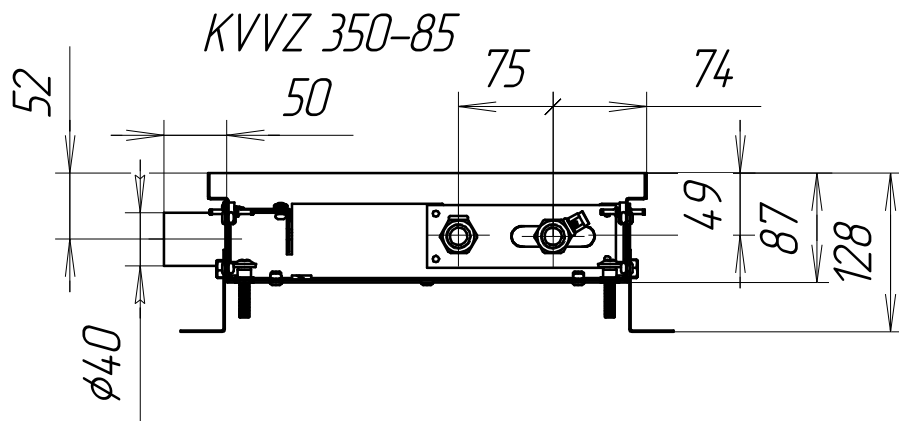
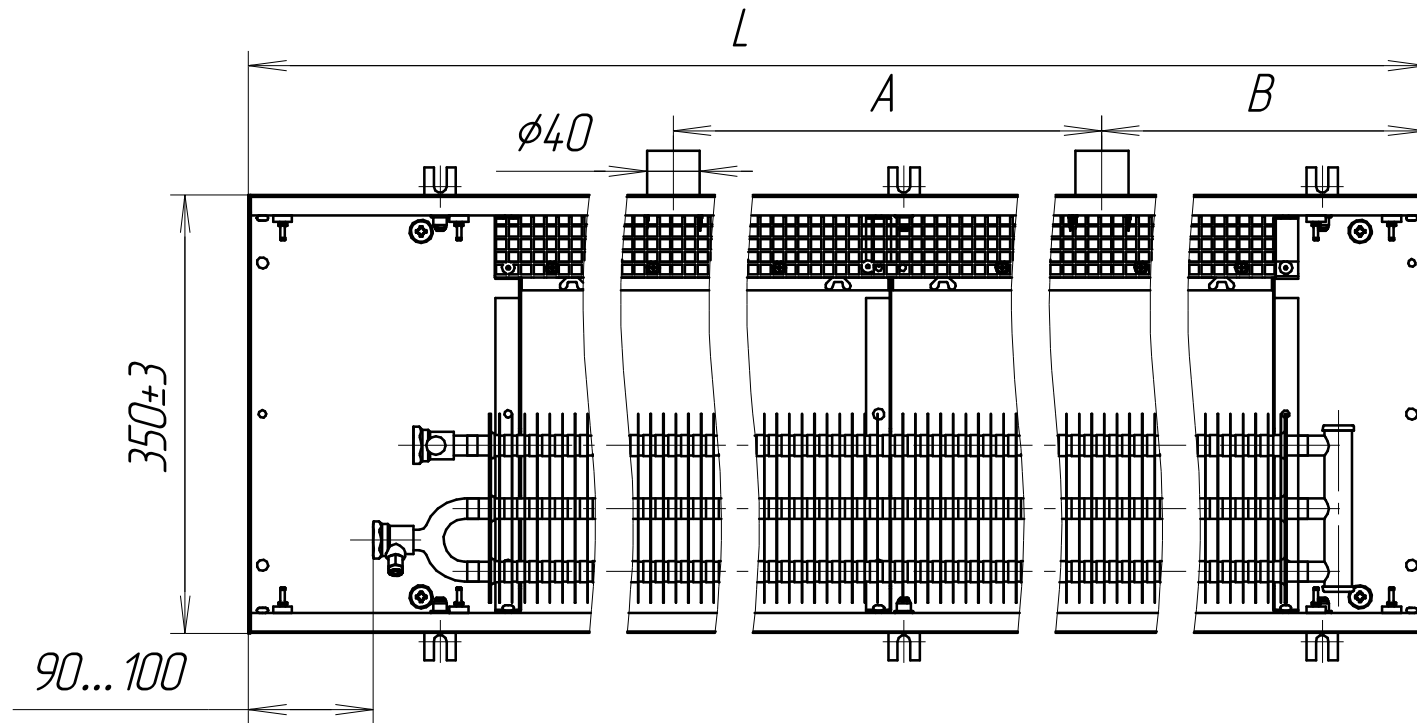
KVVZ 250-140-xxxx



KVVZ 250-140

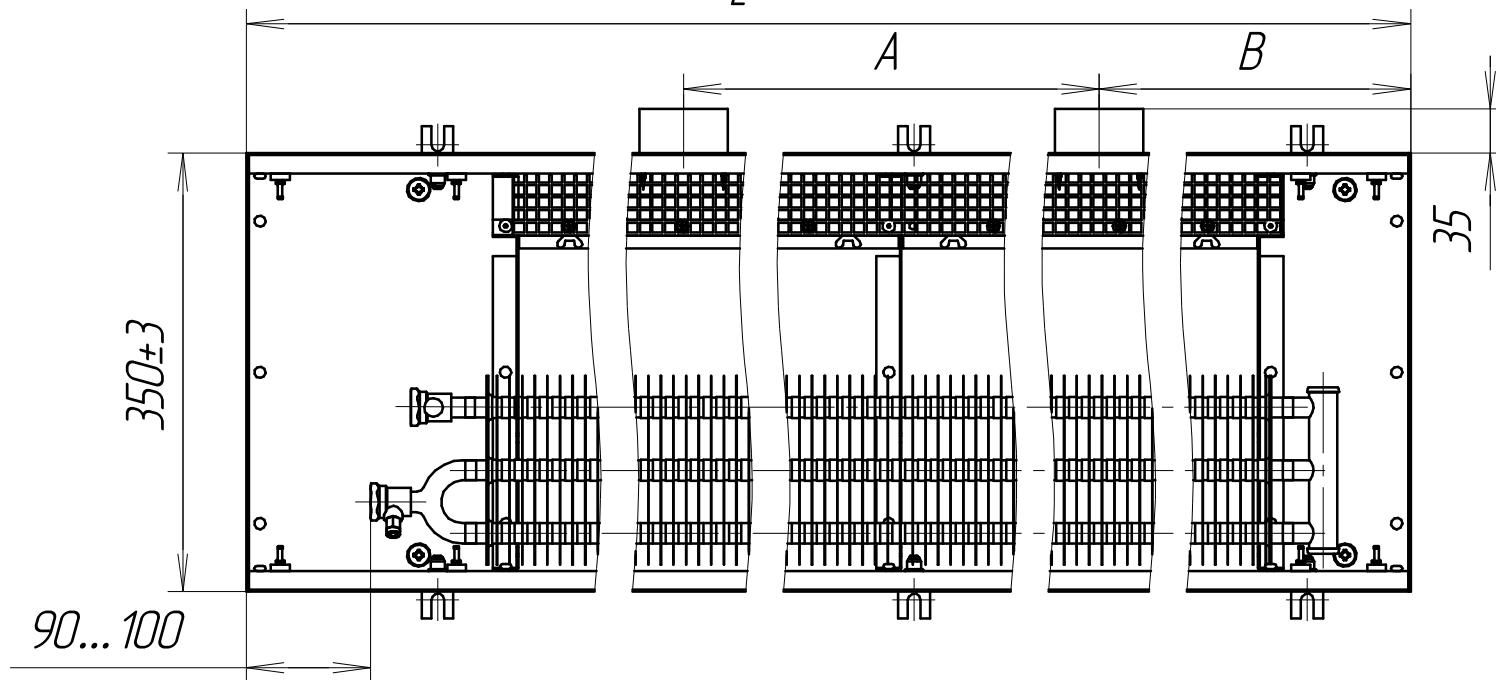


KVVZ 350-85(105)-xxxx

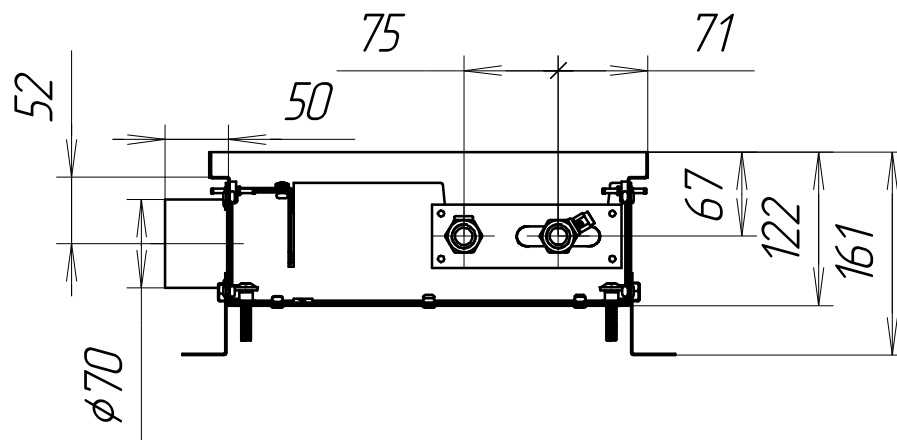


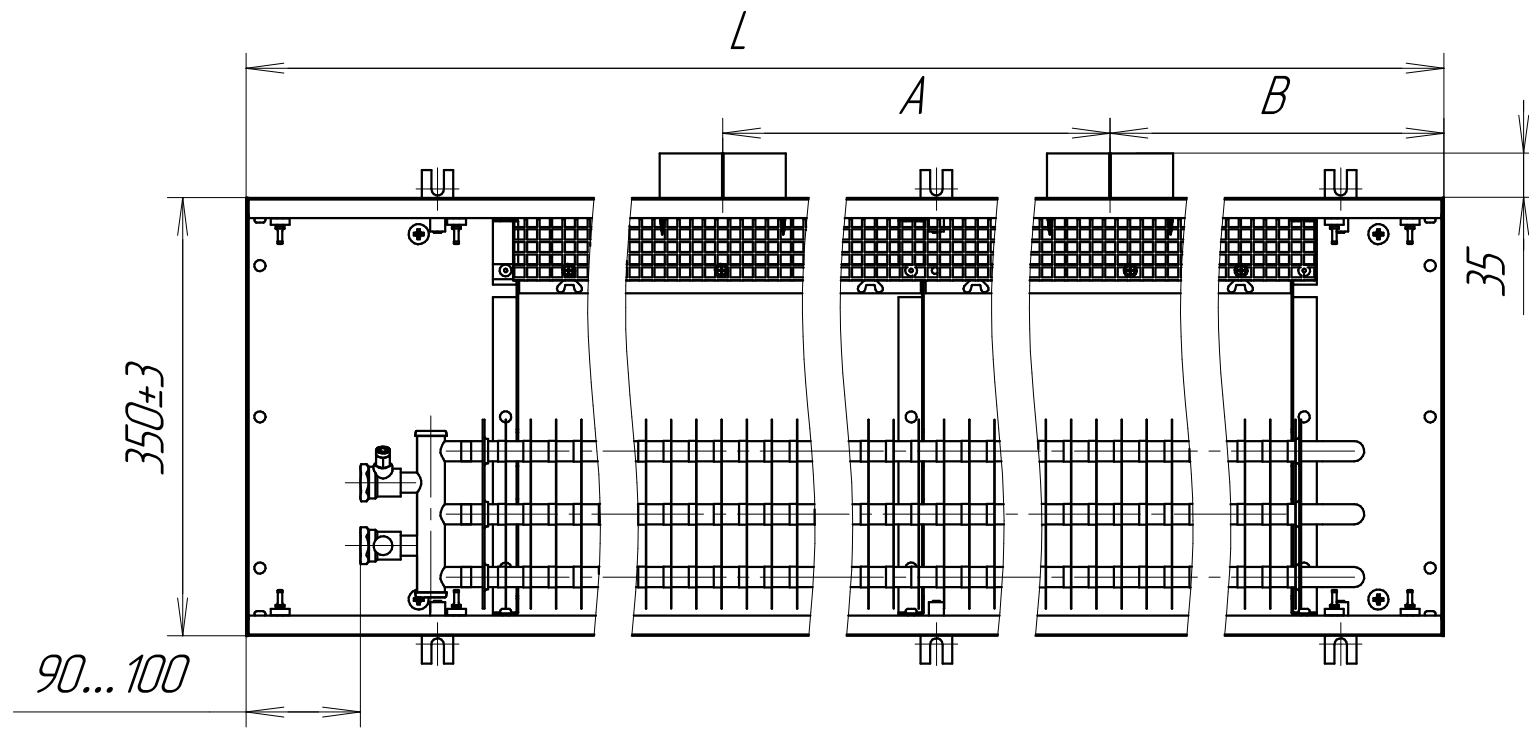
KVVZ 350-120-xxxx

L

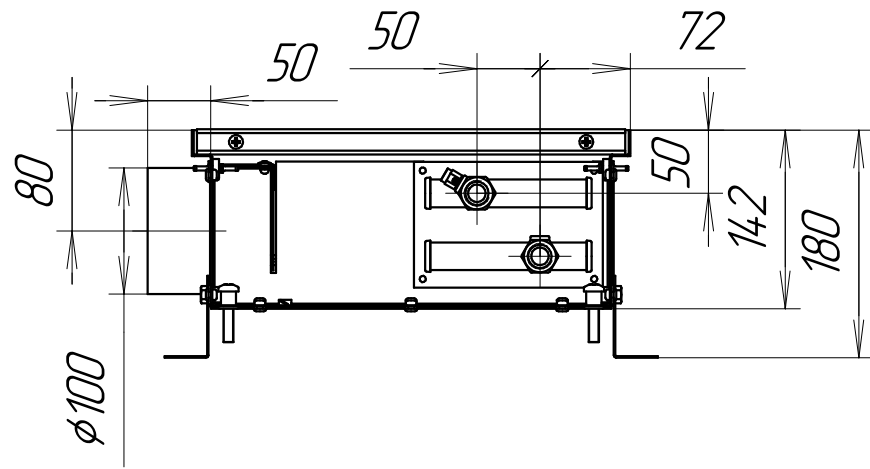


KVVZ 350-120





*KVVZ 350-140*



KVVZ 420-85(105)-xxxx

L

A

B

